

Han-Eco 16B Outd-HBM-with SL-with cover

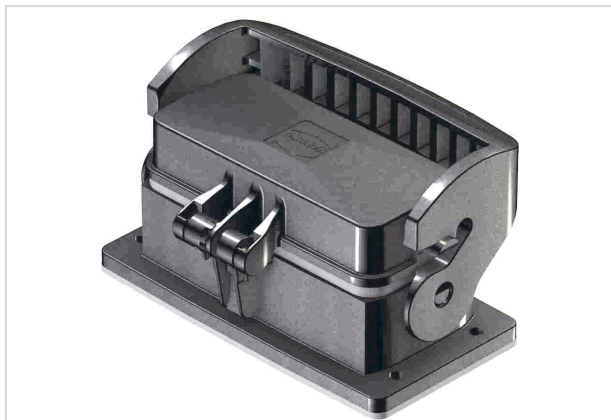


Image is for illustration purposes only. Please refer to product description.

Part number	19 43 216 0341
Specification	Han-Eco 16B Outd-HBM-with SL-with cover
HARTING eCatalogue	https://b2b.harting.com/19432160341

Identification

Category	Hoods/Housings
Series of hoods/housings	Han-Eco® B
Type of hood/housing	Bulkhead mounted housing
Description of hood/housing	With thermo-plastic cover

Version

Size	16 B
Locking type	Single locking lever

Technical characteristics

Limiting temperature	-40 ... +125 °C
Note on the limiting temperature	For use as a connector according to IEC 61984.
Number of relockings	≥500
Degree of protection acc. to IEC 60529	IP66

Material properties

Material (hood/housing)	Polyamide (PA) Fibre-glass reinforced
Colour (hood/housing)	RAL 9005 (jet black)
Material (seal)	FPM
Colour (seal)	RAL 7001 (silver-grey)
Material (locking)	Polyamide (PA) Fibre-glass reinforced
Colour (locking)	RAL 9005 (jet black)



Pushing Performance
Since 1945

Material properties

Material flammability class acc. to UL 94	V-0
Material flammability class acc. to UL 94 (locking levers)	V-0
RoHS	compliant
ELV status	compliant
China RoHS	e
REACH Annex XVII substances	Not contained
REACH ANNEX XIV substances	Not contained
REACH SVHC substances	Not contained
California Proposition 65 substances	Yes

Specifications and approvals

Specifications	IEC 61984 EN 45545-2 Fire protection on railway vehicles
CE	Yes

Commercial data

Packaging size	1
Net weight	159 g
Country of origin	Germany
European customs tariff number	85389099
GTIN	5713140179592
eCl@ss	27440202 Shell for industrial connectors